

Basic Rack PDU

Rack PDU, Basic, 1U, 30A, 120V, (10)5-20



APC Basic Rack PDU , Input: 120V , Input Connections: NEMA L5-30P , Cord Length: 12 feet (3.66 meters) , Output: 120V , Output Connections: NEMA 5-20R

Includes: Rack Mounting brackets, User Manual

Standard Lead Time: Usually in Stock

AP9560 Features

19 inch Rack-Mountable	Supplies redundant AC power to connected equipment. Two AC lines power the unit and if the primary AC power fails, the unit will automatically switch to the alternate power source.
Resettable circuit breakers	Enables a quick recovery from overload events.
Vertical mounting capability	
Horizontal mounting capability	


Basic Rack PDU Features & Benefits

Agility	
Rack-Mountable	Includes horizontal, vertical, and toolless-mount varieties. Puts power where it is needed most - in the racks near the equipment.
Single input power source	Supply power from one branch whip to multiple pieces of equipment, conveniently powering rack-mount equipment. Saves time and money during installation by using one branch whip and standard connections.
Wide range of input and output connections	Product family includes a variety of input and output connections to distribute 120V, 208V, or 230V power to multiple outlets. Having a variety of inputs and outputs allow users to adapt to varying power requirements. APC offers units that bring up to 14.4kW using a single branch whip.

Output

Nominal Output Voltage	120V	
Maximum Total Current Draw per Phase	24A	
Output Connections	(10) NEMA 5-20R	
Always on Outlets	10	
Overload Protection	Yes	

Input

Nominal Input Voltage	120V	
Input Frequency	50/60 Hz	
Regulatory Derated Input Current (North America)	24A	
Input Connections	NEMA L5-30P	
Cord Length	12 feet (3.66 meters)	
Number of Power Cords	1	
Acceptable Input Voltage	90-132 VAC	
Maximum Line Current per phase	24A	
Maximum Input Current per phase	30A	
Load Capacity	2880 VA	

Physical

Net Weight	5.50 lbs. (2.50 kg)
Maximum Height	1.75 inches (44 mm)
Maximum Width	17.60 inches (447 mm)
Maximum Depth	2.25 inches (57 mm)
Shipping Weight	8.00 lbs. (3.64 kg)
Shipping Height	6.00 inches (152 mm)
Shipping Width	19.12 inches (486 mm)
Shipping Depth	6.95 inches (177 mm)
Color	Black

Environmental

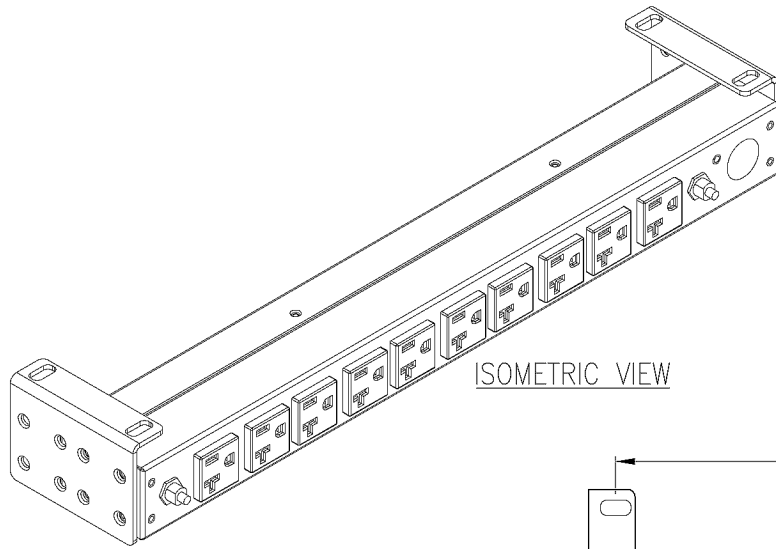
Operating Environment	5 - 113 °F (-15 - 45 °C)
Operating Relative Humidity	0%
Operating Elevation	0-10000 feet (0-3000 meters)
Storage Temperature	-13 - 149 °F (-25 - 65 °C)
Storage Relative Humidity	0%
Storage Elevation	0-50000 feet (0-15000 meters)

Conformance

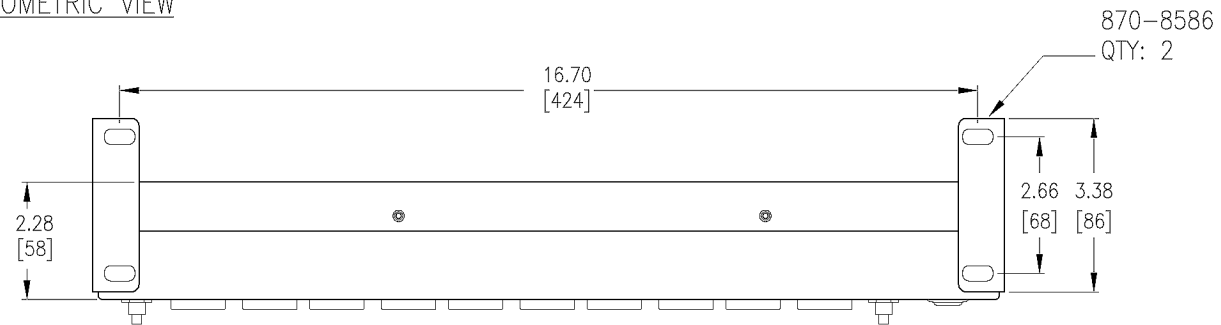
Regulatory Approvals	cUL Listed,CSA,UL 60950,UL Listed
Standard Warranty	2 years repair or replace
ROHS/WEEE Compliance	RoHS

VERTICAL MOUNTING

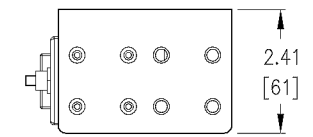
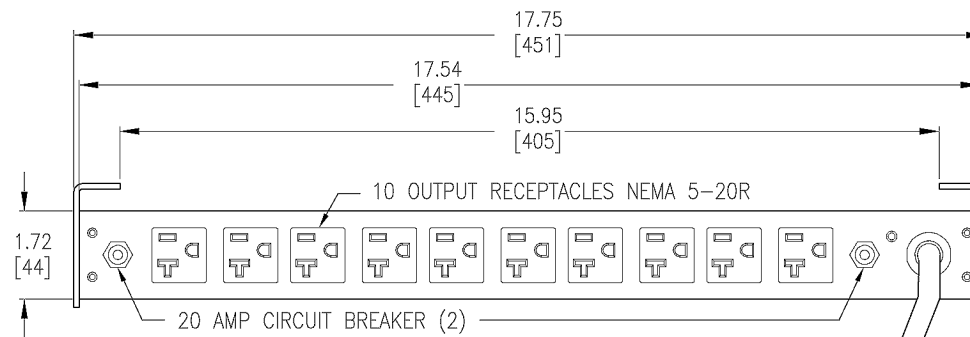
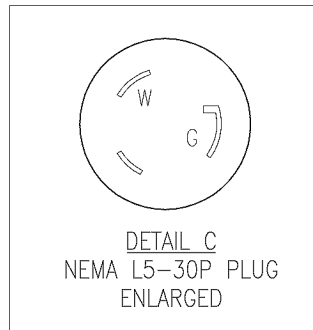
(ANY STANDARD EIA-310 RACK OR ENCLOSURE)



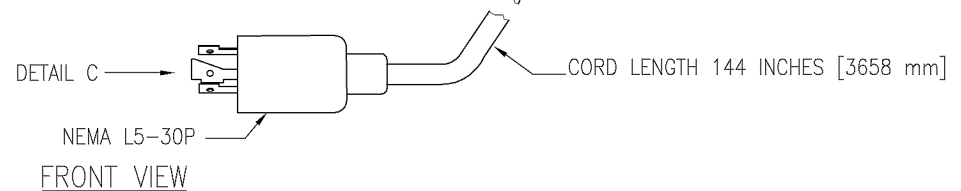
ISOMETRIC VIEW



TOP VIEW



SIDE VIEW



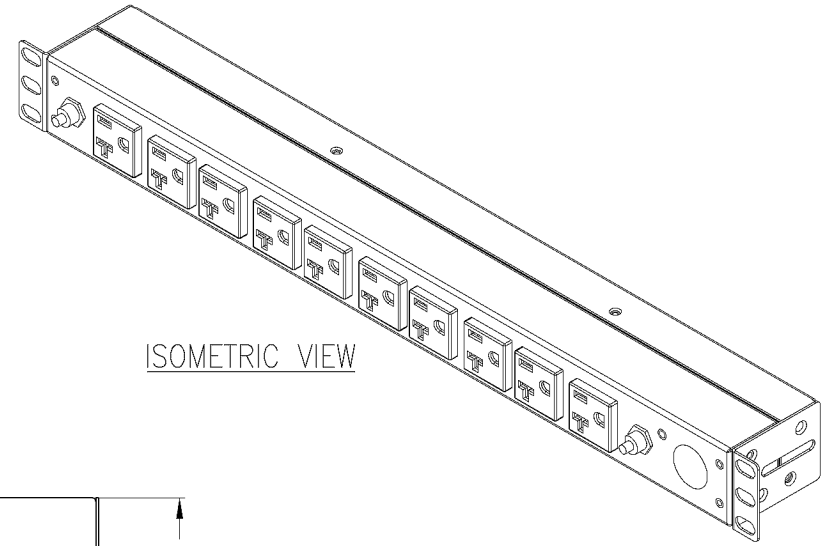
NOTES:

1. ALL DIMENSIONS ARE IN INCHES [MILLIMETERS]
2. UNIT WEIGHT = 5.5 LBS [2.5 KG]
3. BRACKET KITS TO MOUNT TO SPECIFIC COMPETITORS RACKS ARE AVAILABLE AS OPTIONS.
4. INSTALLATION MUST COMPLY WITH ALL APPLICABLE NATIONAL AND LOCAL CODES.

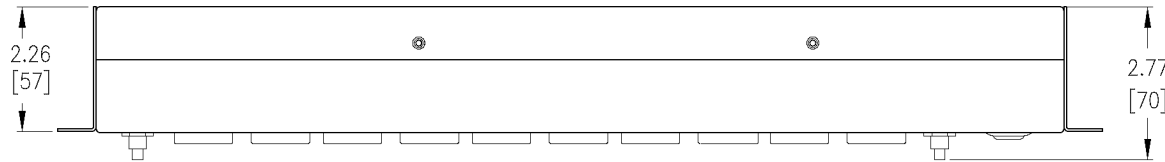
THIS DRAWING AND SPECIFICATIONS HEREIN ARE THE PROPERTY OF AMERICAN POWER CONVERSION AND SHALL NOT BE COPIED, REPRODUCED OR USED IN WHOLE OR IN PART, AS THE BASIS FOR THE MANUFACTURE OR SALE OF ITEMS WITHOUT WRITTEN PERMISSION FROM APC. THIS DRAWING IS BASED UPON LATEST AVAILABLE INFORMATION AND IS SUBJECT TO CHANGE WITHOUT NOTICE.	TITLE: RACK PDU, BASIC	DWG NO: AP9560-MM1	REV. -	
	1U, 30A, 120V, INPUT: NEMA L5-30P	DRAWN BY: M.CRAVEN		
	OUTPUT: (10) NEMA 5-20R MAIN MECHANICAL-1	CHECKED BY: T.HORSTMANN		
	PROJECT: SUBMITTAL DRAWING SHEET 1 OF 2	ENGINEER: J.RING/ E.SILVA		

HORIZONTAL MOUNTING

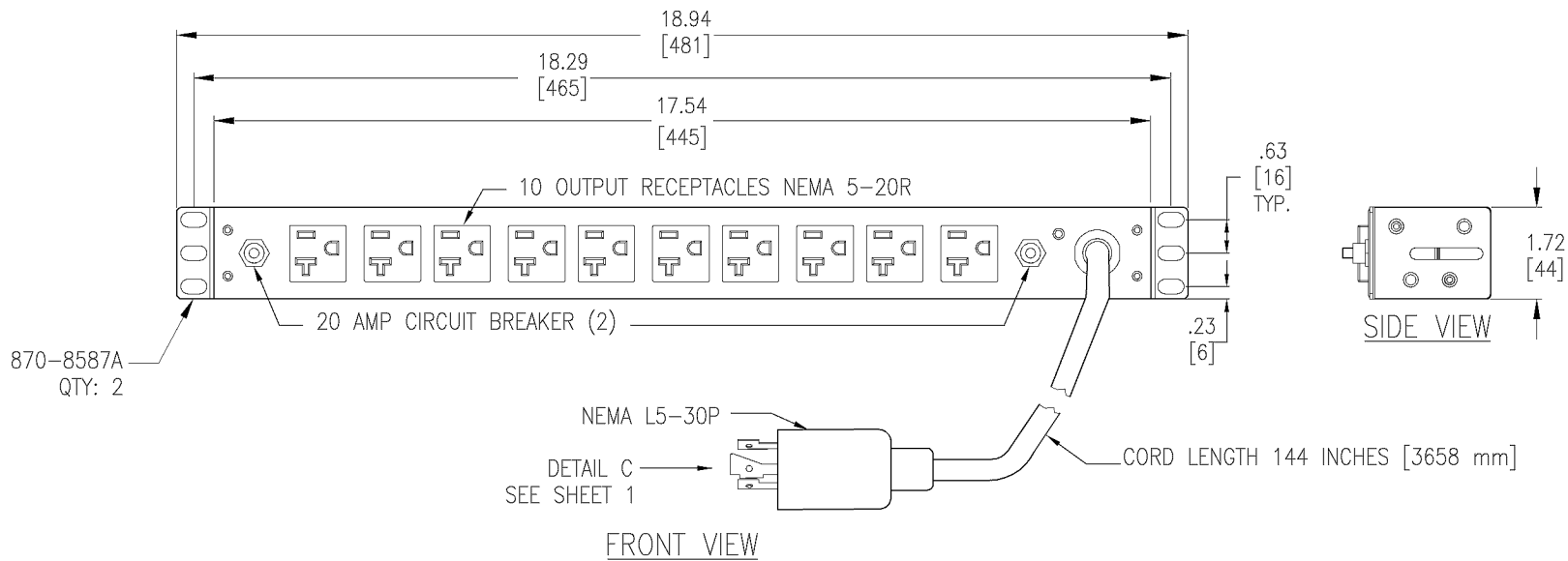
(ANY STANDARD EIA-310 RACK OR ENCLOSURE)



ISOMETRIC VIEW



TOP VIEW



NOTES:

1. ALL DIMENSIONS ARE IN INCHES [MILLIMETERS]
2. BRACKET KITS TO MOUNT TO SPECIFIC COMPETITOR RACKS ARE AVAILABLE AS OPTIONS.
3. INSTALLATION MUST COMPLY WITH ALL APPLICABLE NATIONAL AND LOCAL CODES.

THIS DRAWING AND SPECIFICATIONS HEREIN ARE THE PROPERTY OF AMERICAN POWER CONVERSION AND SHALL NOT BE COPIED, REPRODUCED OR USED IN WHOLE OR IN PART, AS THE BASIS FOR THE MANUFACTURE OR SALE OF ITEMS WITHOUT WRITTEN PERMISSION FROM APC. THIS DRAWING IS BASED UPON LATEST AVAILABLE INFORMATION AND IS SUBJECT TO CHANGE WITHOUT NOTICE.

TITLE: RACK PDU, BASIC
1U, 30A, 120V, INPUT: NEMA L5-30P
OUTPUT: (10) NEMA 5-20R
MAIN MECHANICAL-2

PROJECT: SUBMITTAL DRAWING SHEET 2 OF 2

DWG NO: AP9560-MM2 REV. -
DRAWN BY: M.CRAVEN
CHECKED BY: T.HORSTMANN
ENGINEER: J.RING/ E.SILVA

